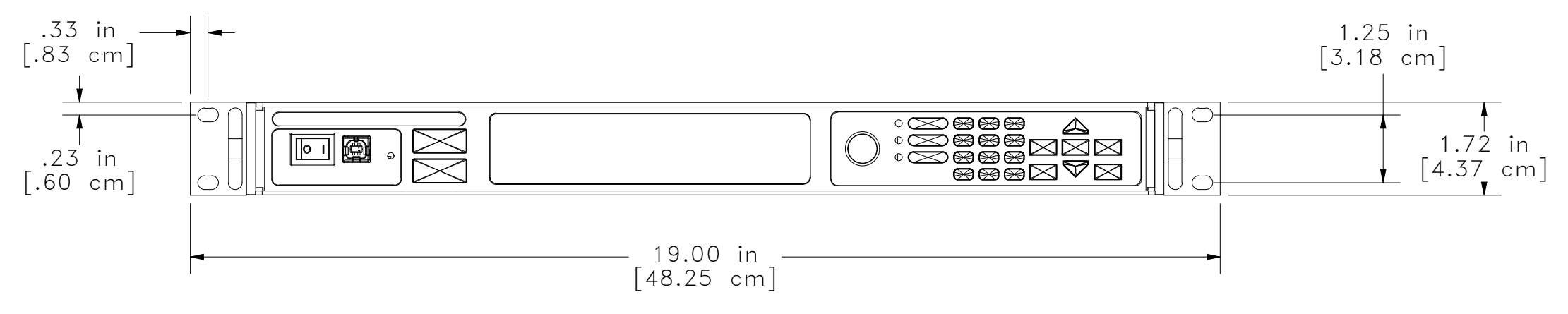
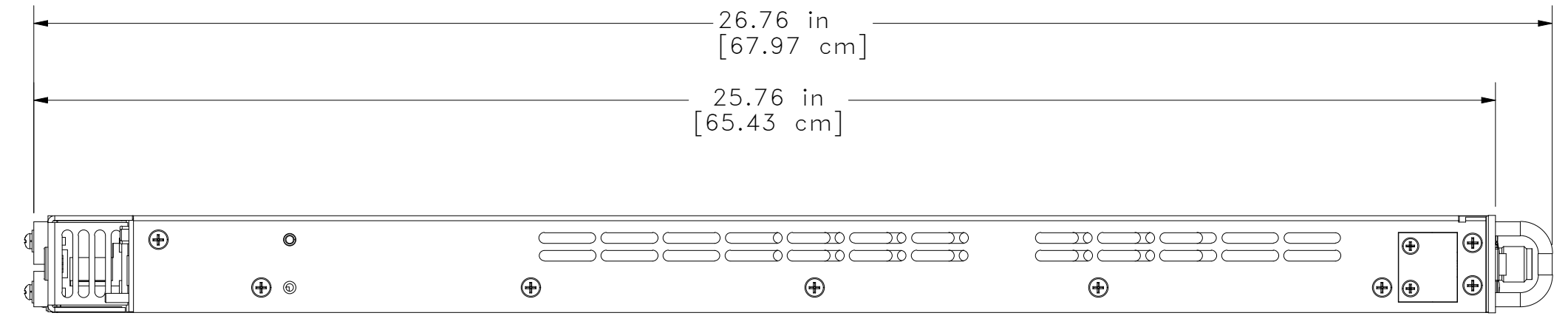
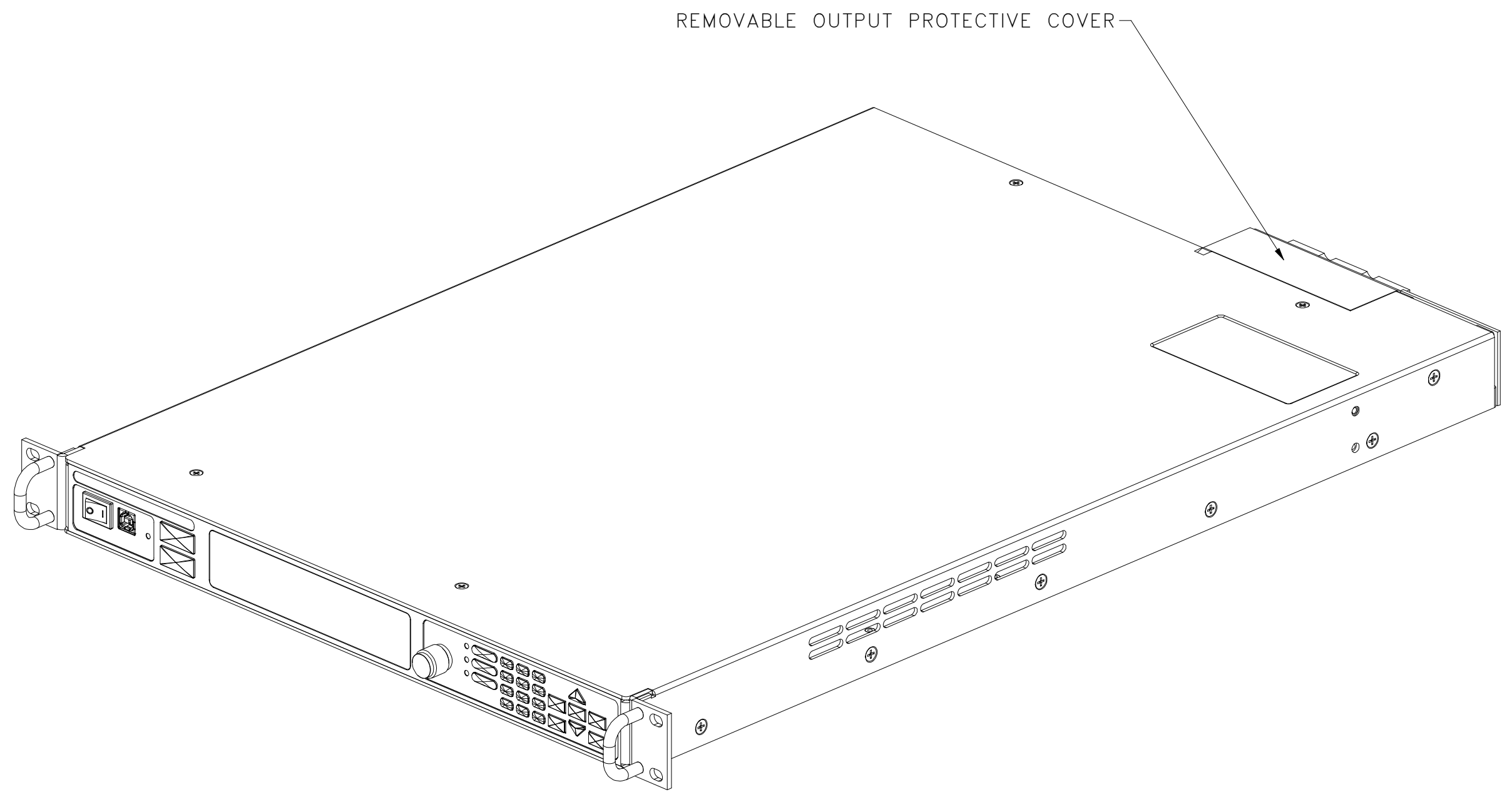
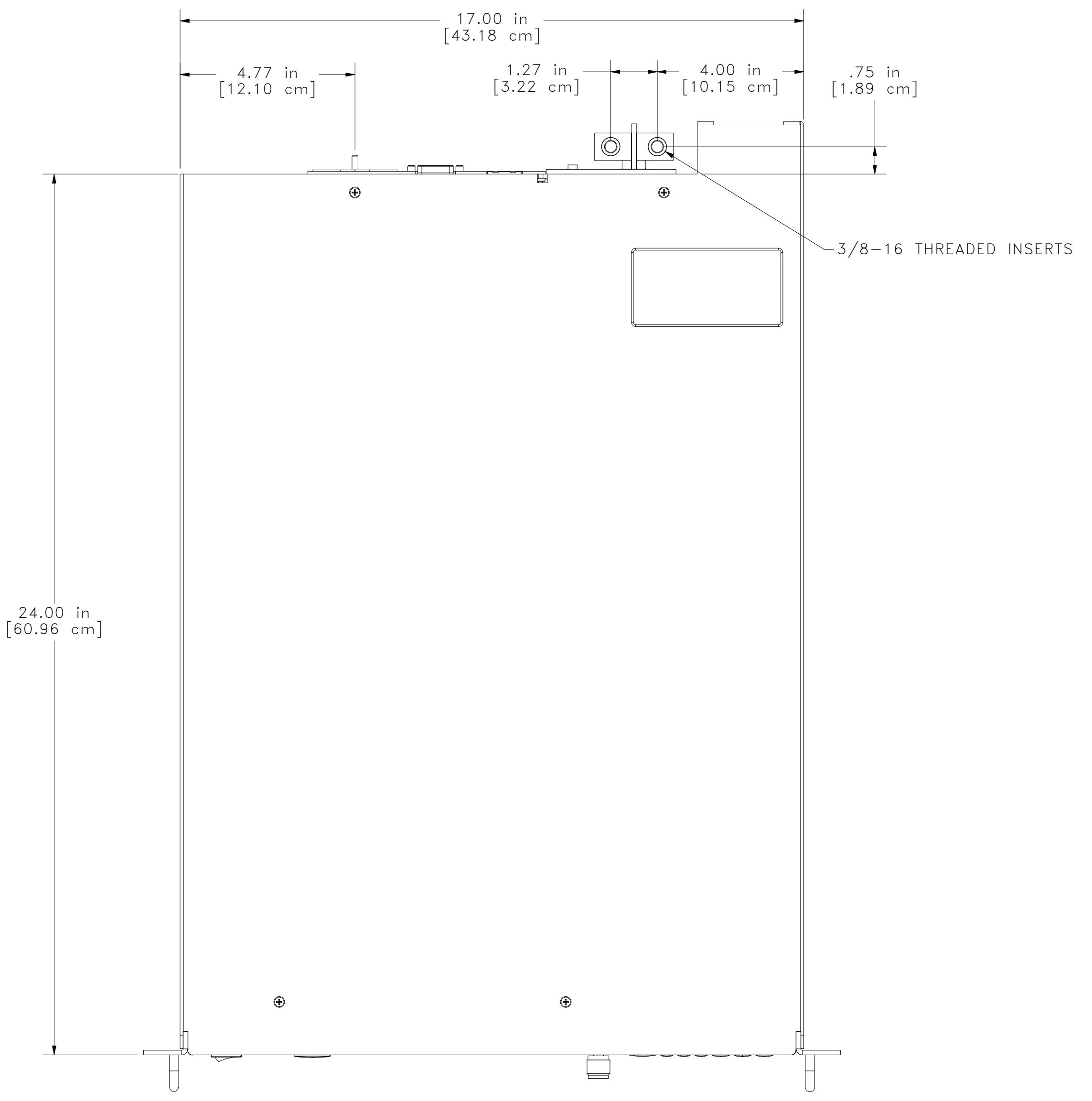
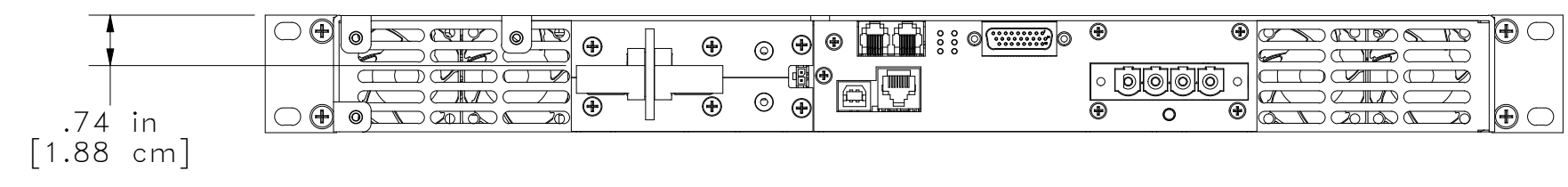
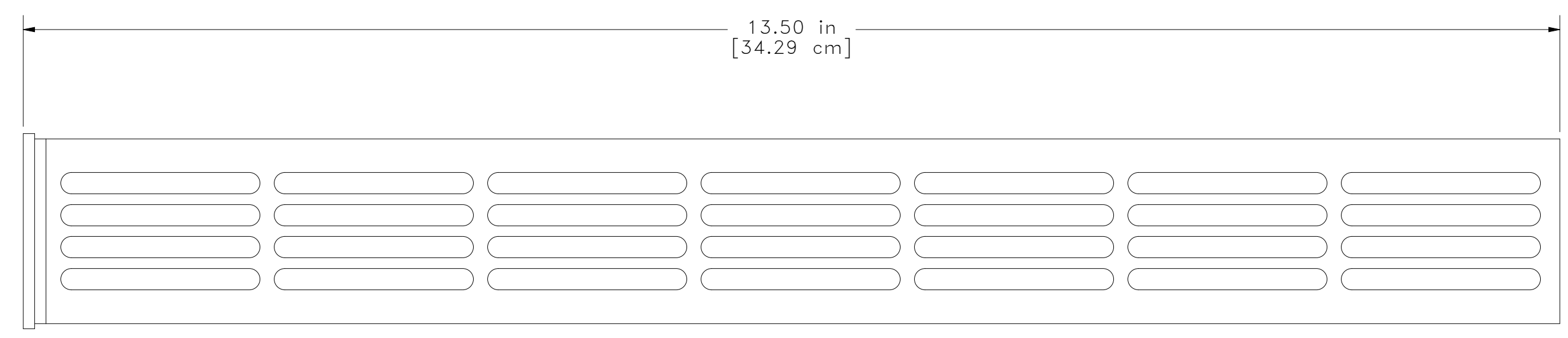
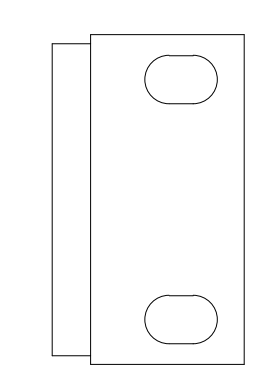
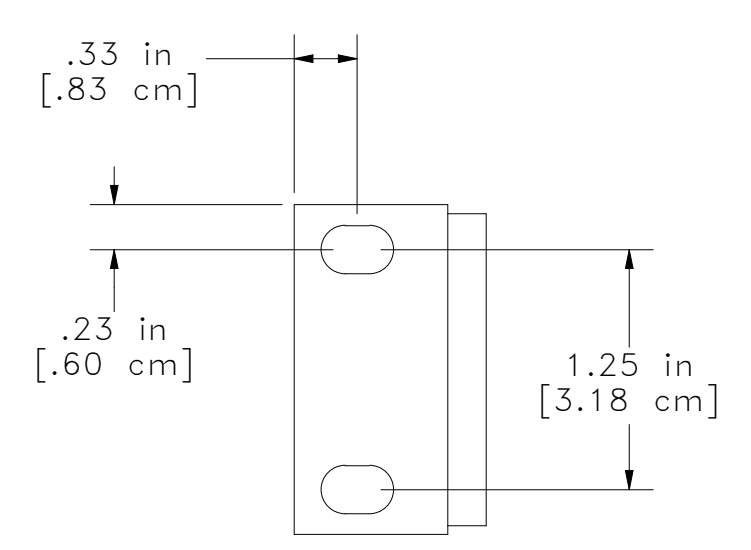
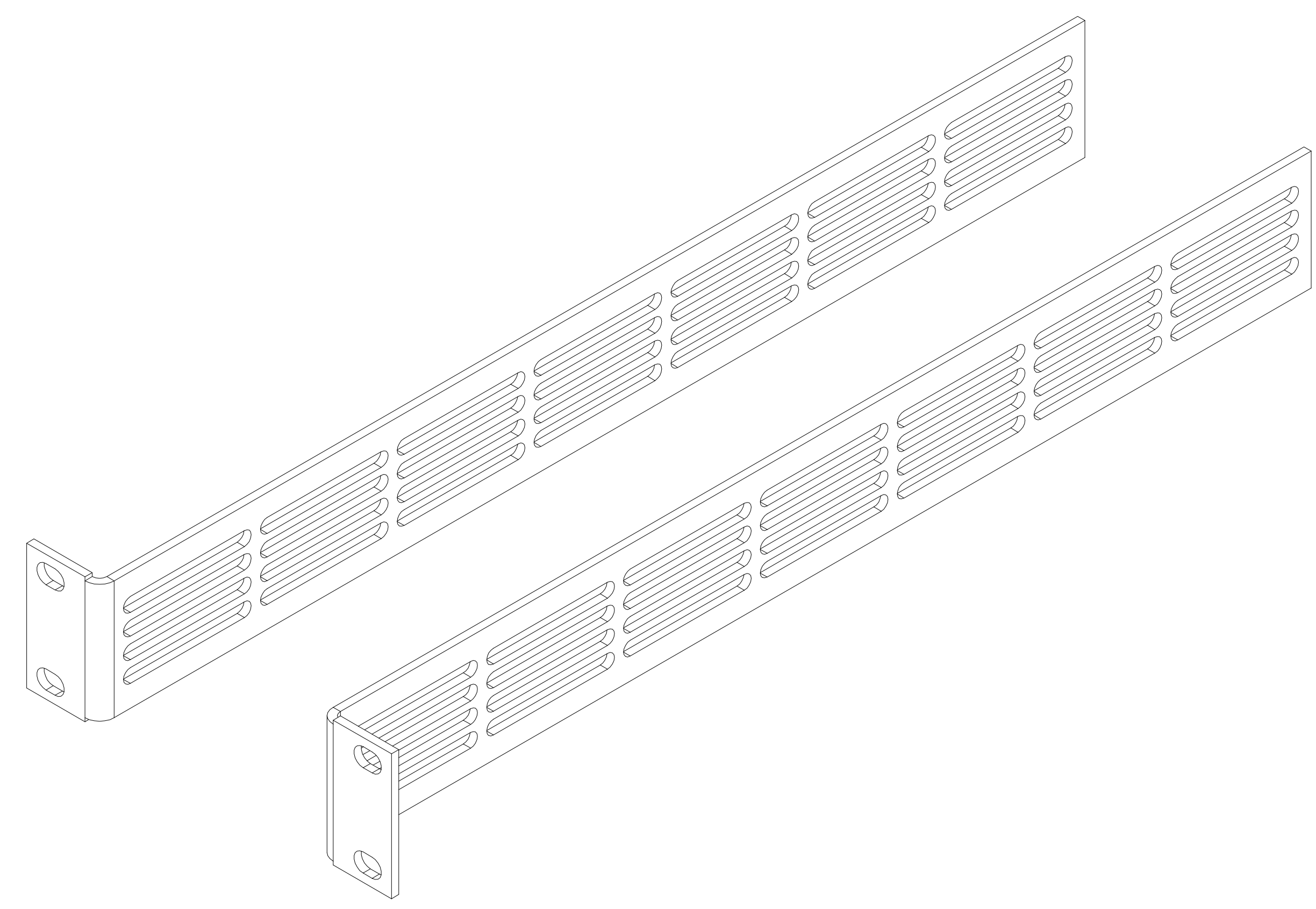


| REVISION HISTORY | | | | |
|------------------|-----|-------------|------|----------|
| ZONE | REV | DESCRIPTION | DATE | APPROVED |
| | | | | |



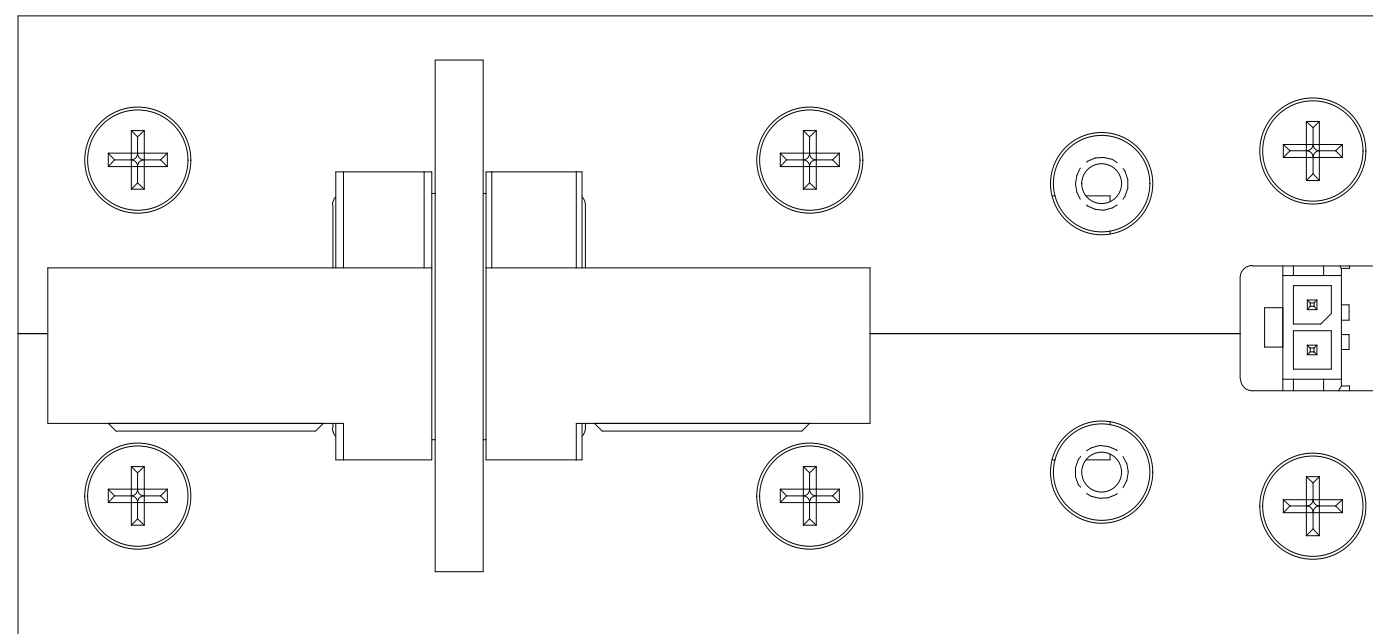
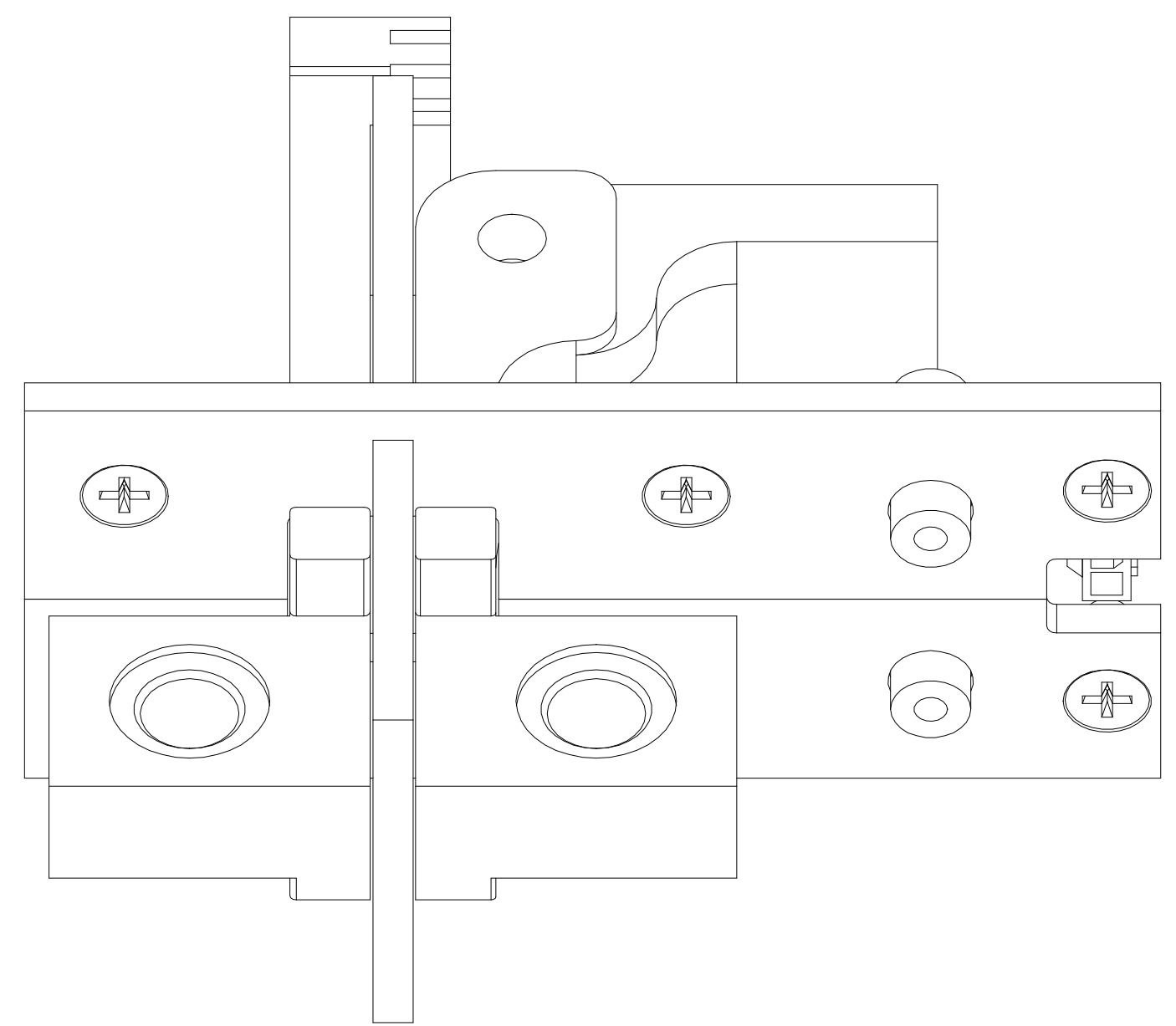
| | | | | | | | |
|---------------------------------------|-----------------|-------------------|----------------------|------------------------------|-------------|--------------|------|
| TOLERANCES UNLESS OTHERWISE SPECIFIED | | APPROVALS | DATE | MAGNA-POWER ELECTRONICS INC. | | | |
| FRACTIONS | DECIMALS | | | ANGLES | DRAWN | | |
| $\pm \frac{1}{64}$ | $\pm .XX = .02$ | $\pm \frac{1}{2}$ | CHECKED | | | | |
| | $.XXX = .005$ | | ENGINEER | | | | |
| MATERIAL | | FINISH | DO NOT SCALE DRAWING | SIZE | ITEM NO. | DRAWING NO. | REV. |
| | | | | D | | | |
| | | | | CAGE NO. 7V550 | SCALE 2 : 5 | SHEET 1 OF 4 | |

| REVISION HISTORY | | | | |
|------------------|-----|-------------|------|----------|
| ZONE | REV | DESCRIPTION | DATE | APPROVED |
| | | | | |



| | | | | | | | | | | |
|---------------------------------------|-----------------|-------------------------|----------------------|---------|------|------------------------------|----------|-------------|------|--------------|
| TOLERANCES UNLESS OTHERWISE SPECIFIED | | | APPROVALS | | DATE | MAGNA-POWER ELECTRONICS INC. | | | | |
| FRACTIONS | DECIMALS | ANGLES | DRAWN | CHECKED | | | | | | |
| $\pm \frac{1}{64}$ | $\pm .XX = .02$ | $\pm \frac{1}{2}^\circ$ | ENGINEER | | | | | | | |
| | | | FINISH | MTG. | | SIZE | ITEM NO. | DRAWING NO. | REV. | |
| | | | | | | D | | | | |
| | | | DO NOT SCALE DRAWING | | | CAGE NO. 7V550 | | SCALE 1 : 1 | | SHEET 2 OF 4 |

| REVISION HISTORY | | | |
|------------------|-----|-------------|----------|
| ZONE | REV | DESCRIPTION | APPROVED |
| | | | |



| | | | | | | |
|---------------------------------------|-----------------|----------------------|----------|------------------------------|----------|--------------|
| TOLERANCES UNLESS OTHERWISE SPECIFIED | | APPROVALS | DATE | MAGNA-POWER ELECTRONICS INC. | | |
| FRACTIONS | DECIMALS | | | ANGLES | DRAWN | |
| $\pm \frac{1}{64}$ | $\pm .XX = .02$ | $\pm \frac{1}{2}$ | CHECKED | | | |
| | $.XXX = .005$ | | ENGINEER | | | |
| MATERIAL | | MTG. | | SIZE | ITEM NO. | DRAWING NO. |
| | | | | D | | |
| FINISH | | DO NOT SCALE DRAWING | | CAGE NO. | SCALE | REV. |
| | | | | 7V550 | 2 : 1 | |
| | | | | | | SHEET 3 OF 4 |

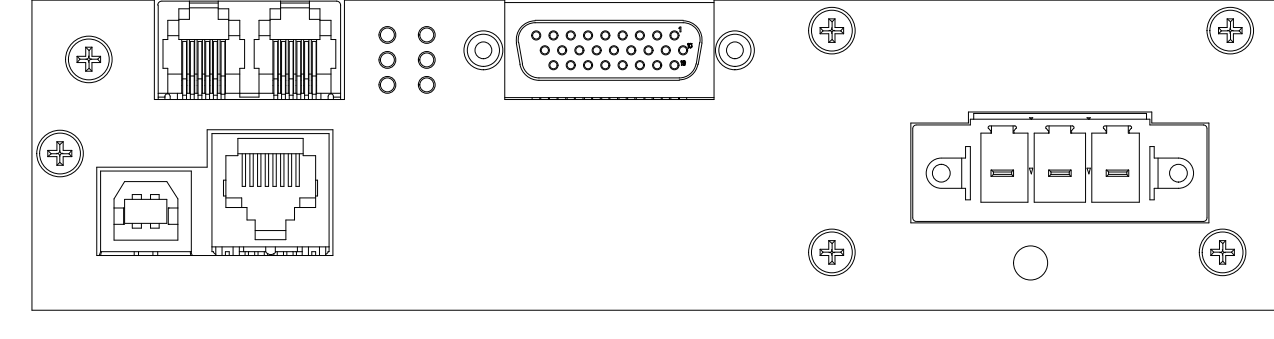
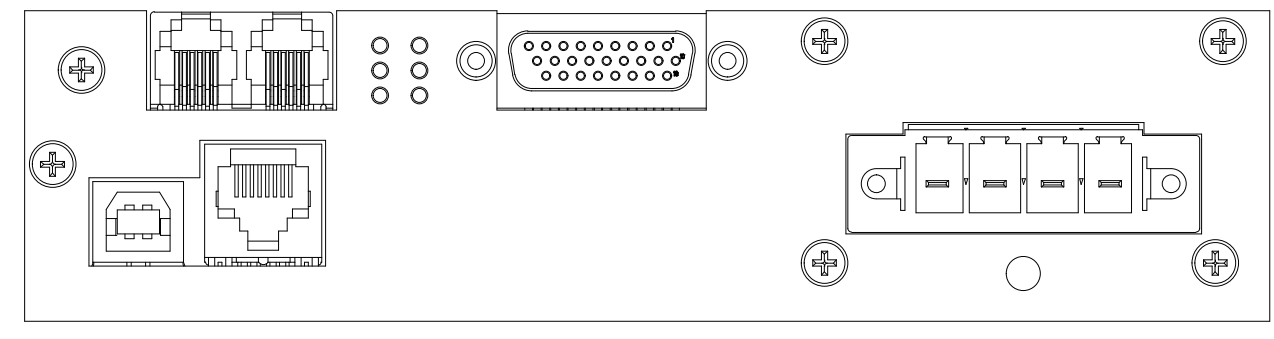
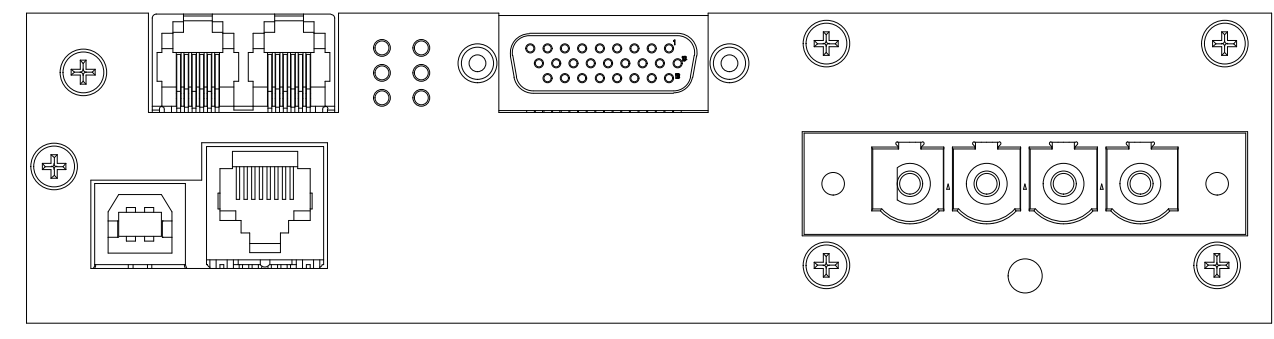
| REVISION HISTORY | | | | |
|------------------|-----|-------------|------|----------|
| ZONE | REV | DESCRIPTION | DATE | APPROVED |
| | | | | |

3P, 6AWG

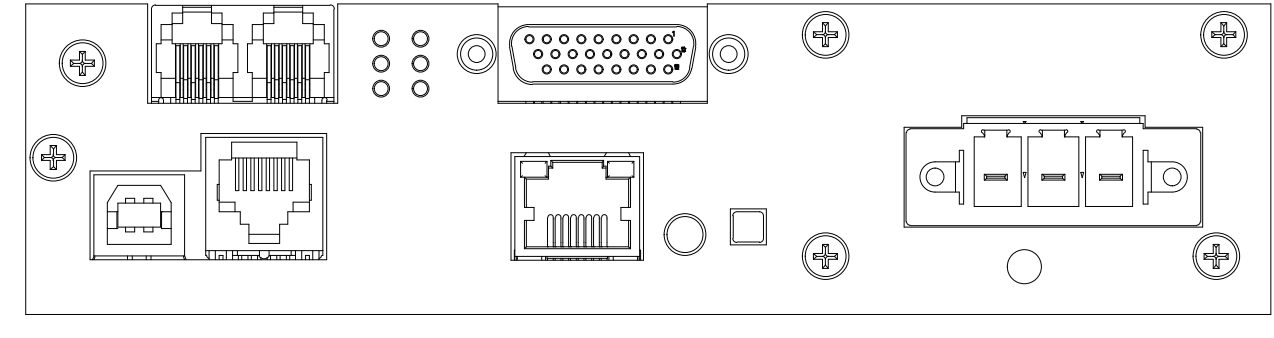
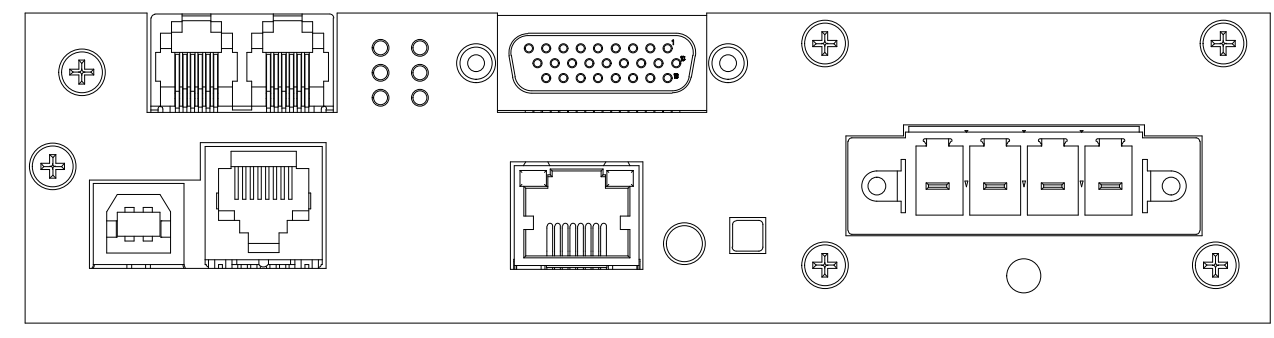
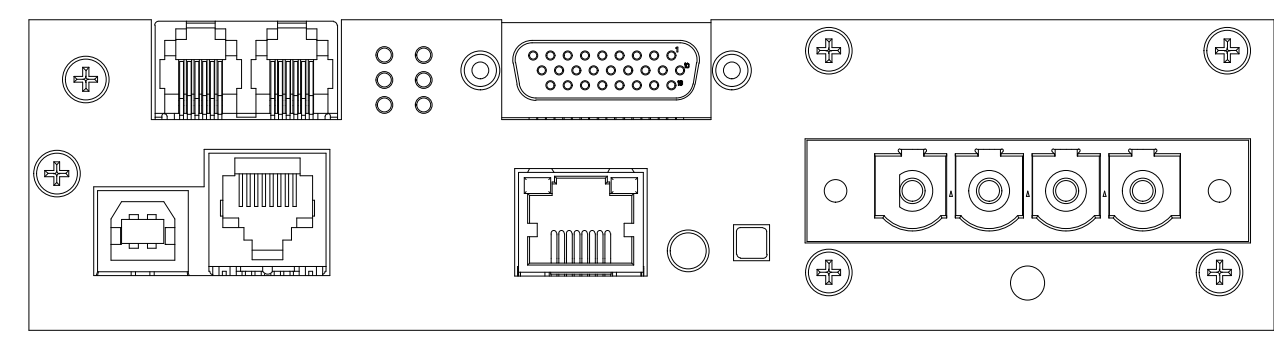
3P, 8AWG

1P, 8AWG

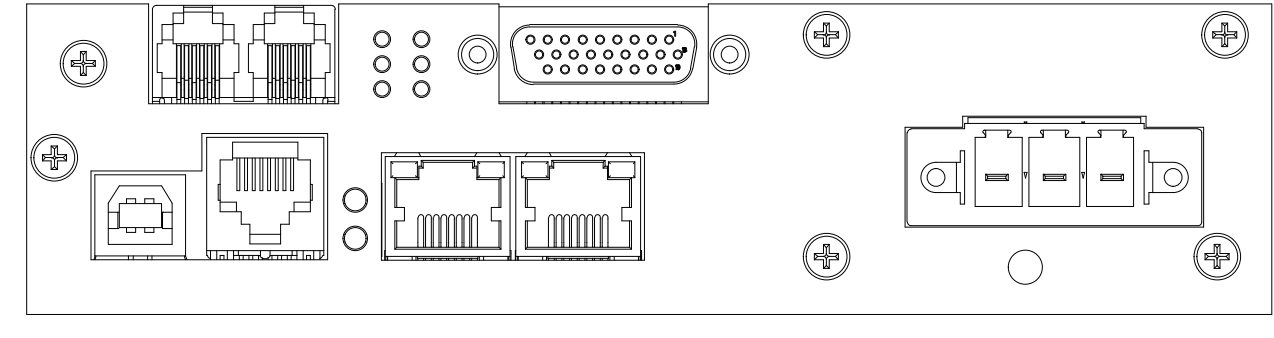
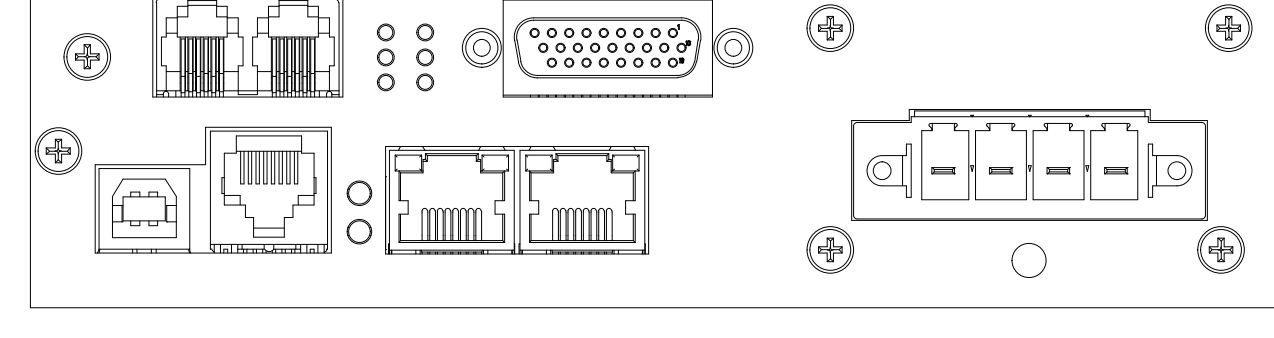
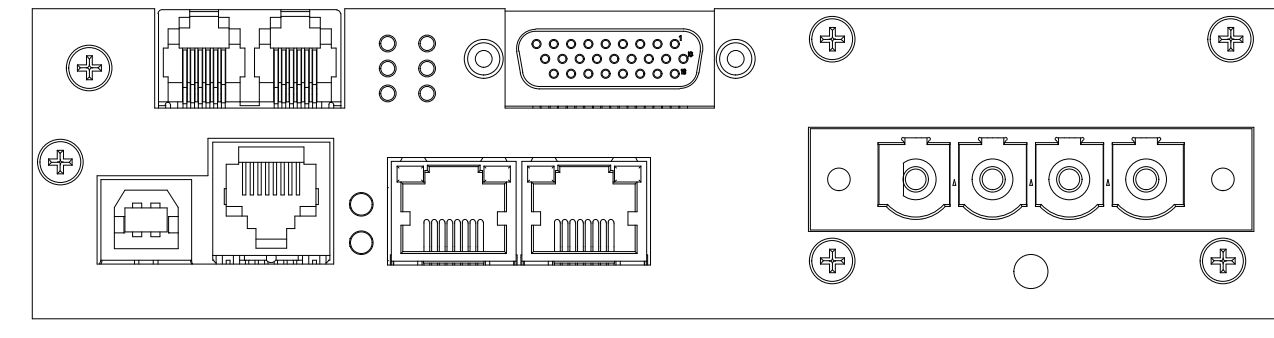
STD



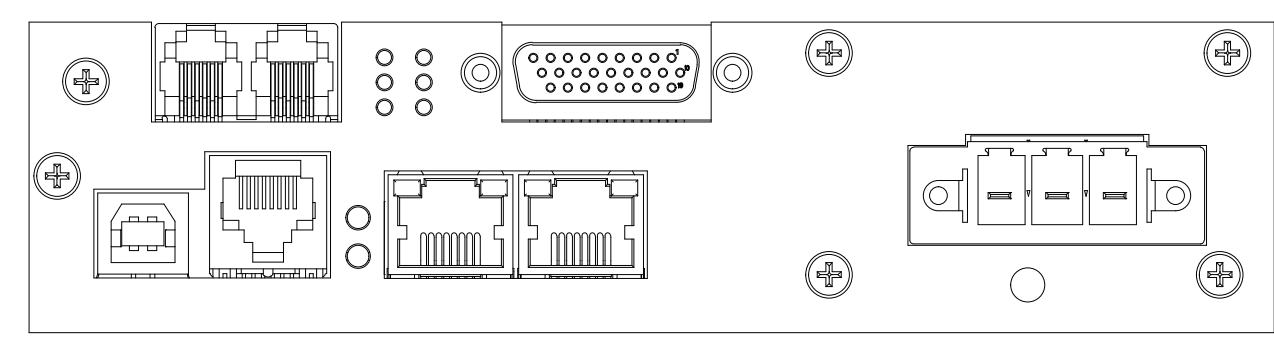
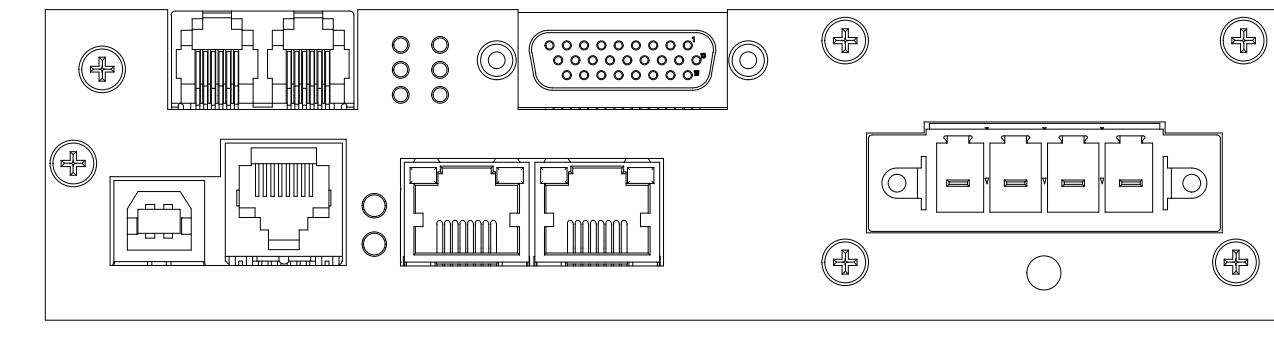
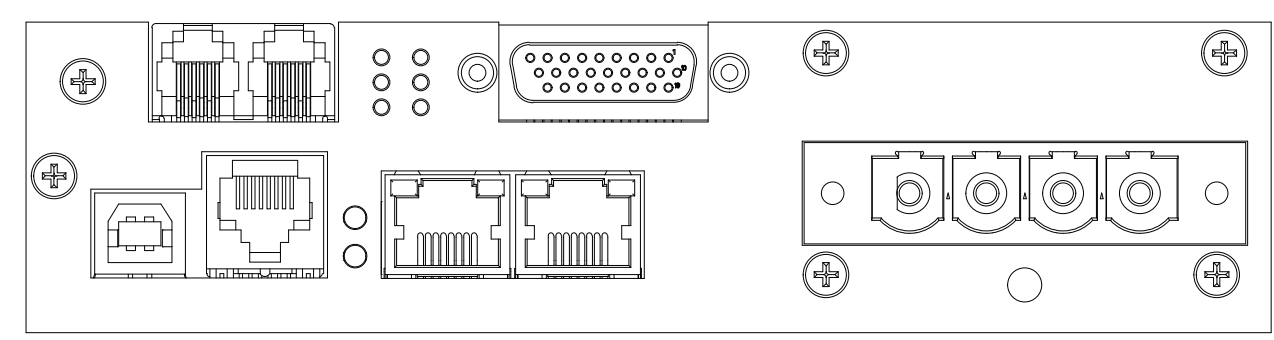
LXI



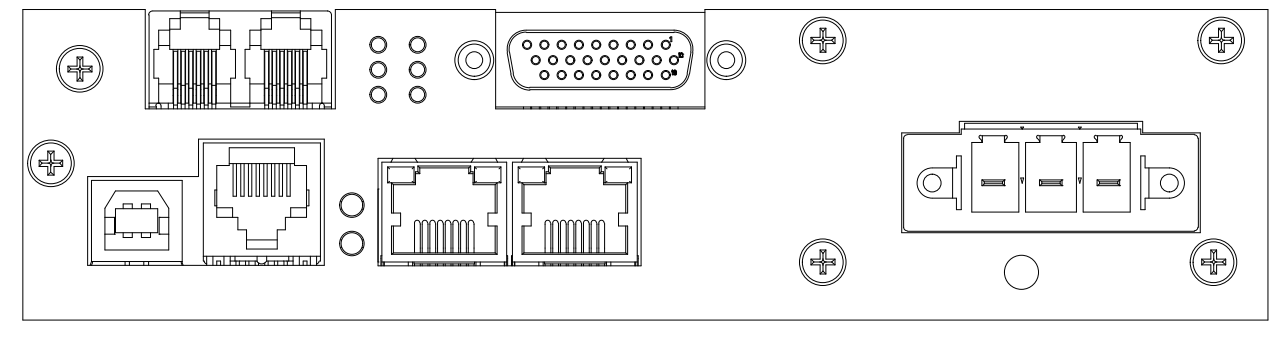
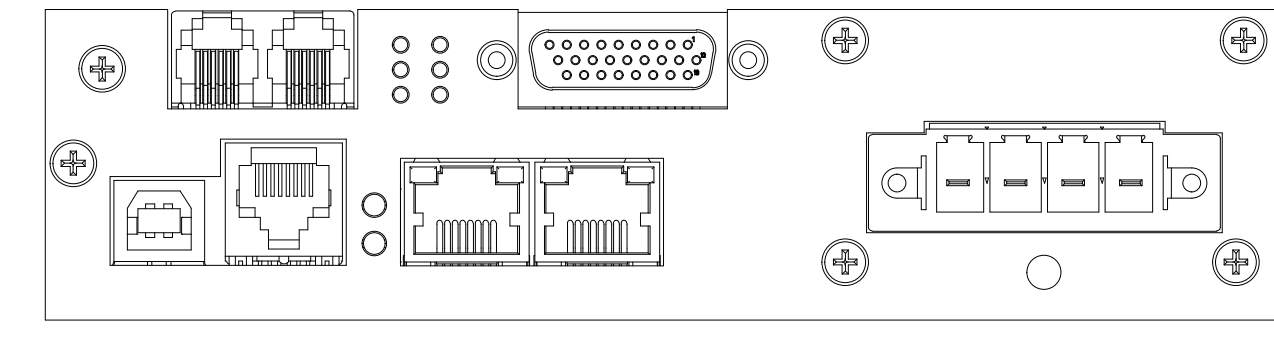
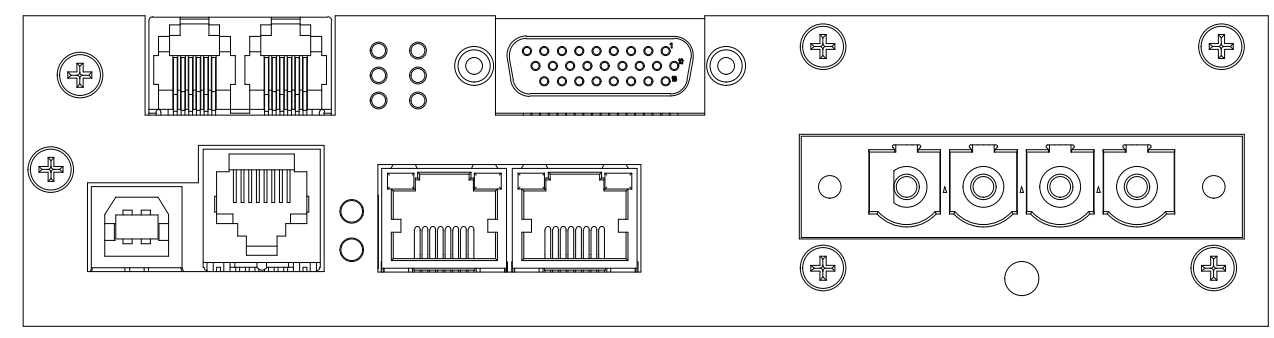
EIP



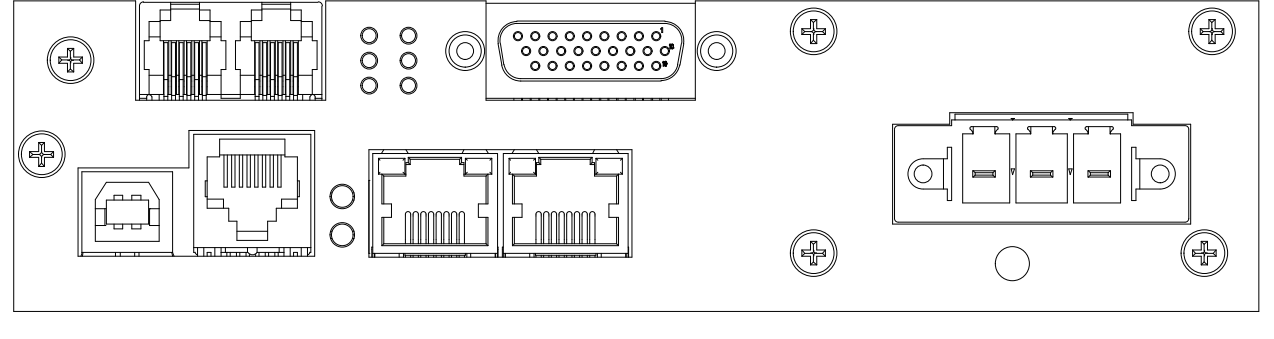
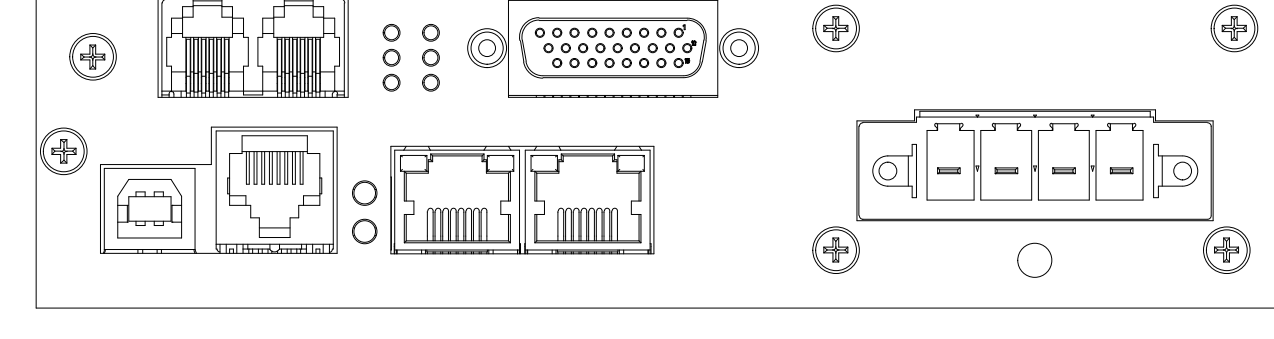
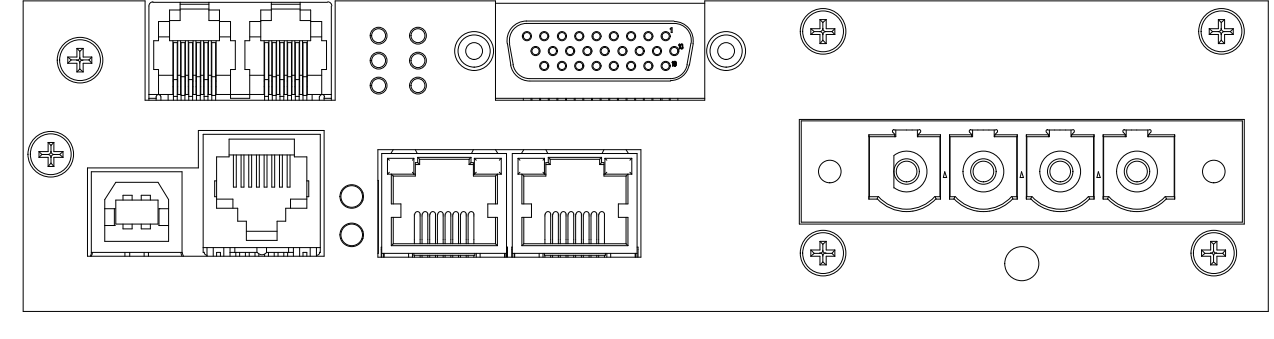
ECAT



PROF



MTCP



| | | | | | | | |
|--|----------------------|----------------|------------------------------|--------------|----------|-------------|------|
| TOLERANCES UNLESS OTHERWISE SPECIFIED FRACTIONS DECIMALS ANGLES $\pm \frac{1}{64}$ $\pm .XX = .02$ $\pm \frac{1}{2}^\circ$ $\pm \frac{1}{32}$ $\pm .XXX = .005$ | APPROVALS | DATE | MAGNA-POWER ELECTRONICS INC. | | | | |
| | MATERIAL | CHECKED | ENGINEER | SIZE | ITEM NO. | DRAWING NO. | REV. |
| FINISH | DO NOT SCALE DRAWING | CAGE NO. 7V550 | SCALE 1 : 1 | SHEET 4 OF 4 | | | |